

TTC100 Calibrator

Specially designed for CNC machines

Functions working with software SP-T10

Automatic setting of parameters for the cutting tools on the CNC machines

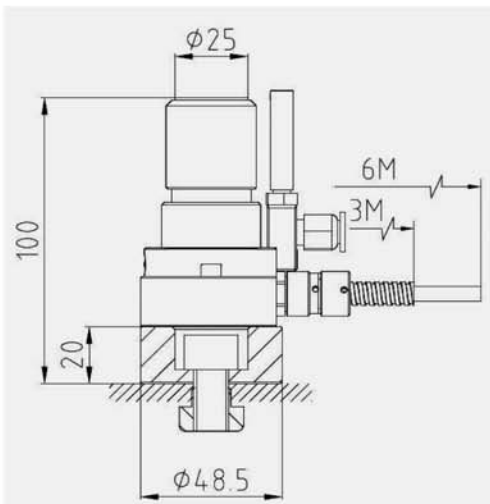
Automatic measuring the wear or the breakage of the cutting tools during the production

Machining accuracy control by automatically wear compensation of cutting tools



Feature

- Detachable top touch face
- Working state indicator: 1xRed LEDs
- 6 meters length oil proof cable with stainless steel helix jacket
- Specially designed mechanism for easily adjusting and mounting
- Output SSR signals as normal open or normal closed
- Additional purchase accessory: air cleaning module
- Additional purchase accessory: mounting module
- Specially used for presetting the length of cutting tools



Technical Parameters

- Sensing directions: -Z
- Downward travel of top touch face: 5 mm (0.197 inch)
- Hardness of top touch face: HRB90~93
- Sealing grade: IP 68
- Input power supply from machine: $24 \pm 10\%$ V DC

Accuracy

- Setting height: 80 mm (3.15 inch)
- Repeatability of the top touch face: 1 μm (0.000039 inch)
- Parallelism between the top face and the bottom face: 3 μm (0.00012inch)